

**SUMMIT**™

2196 ANSI



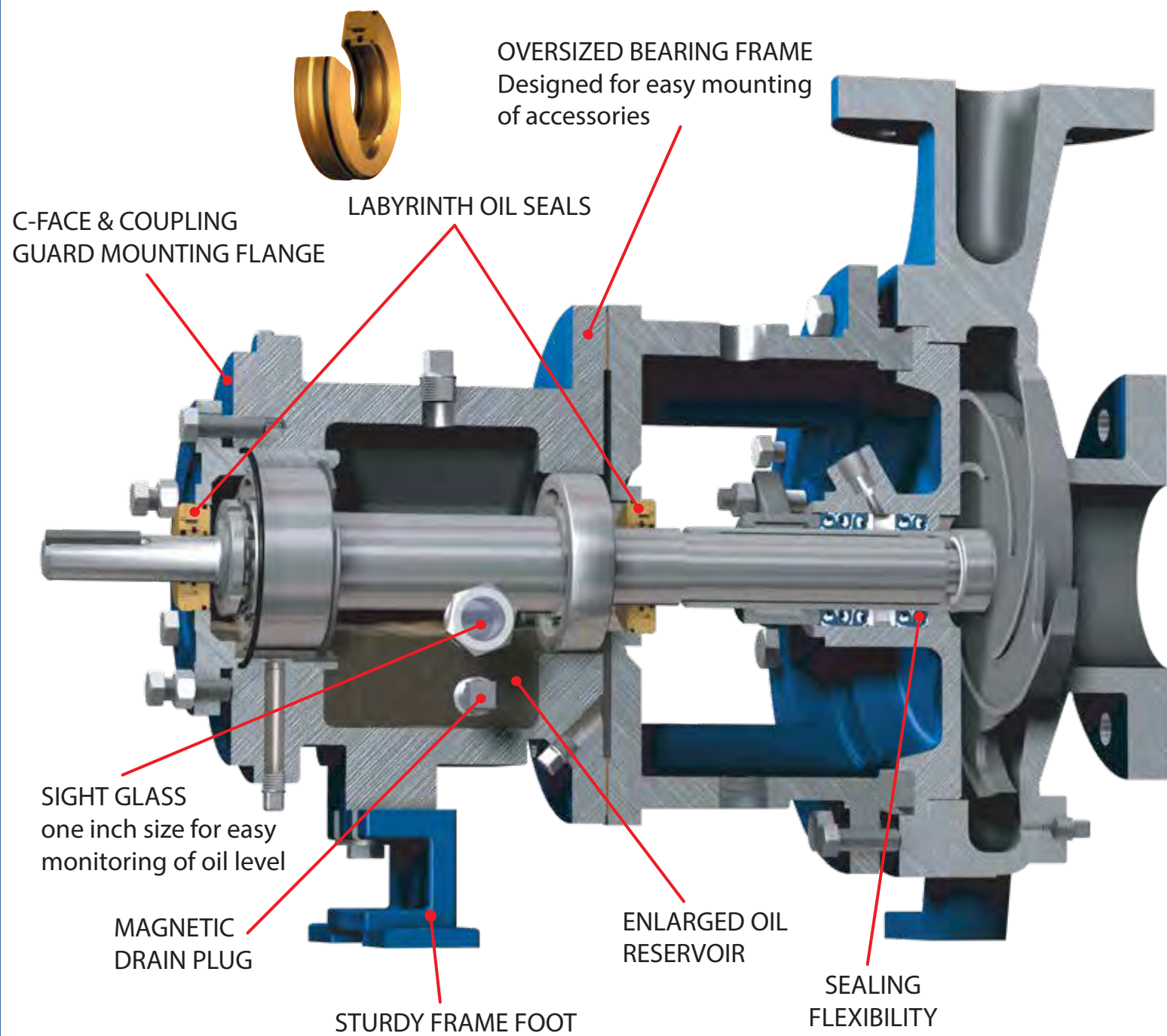
ANSI Dimensional  
Model 2196



**SUMMIT**™  
PUMP, Inc

[www.SUMMITPUMP.com](http://www.SUMMITPUMP.com)

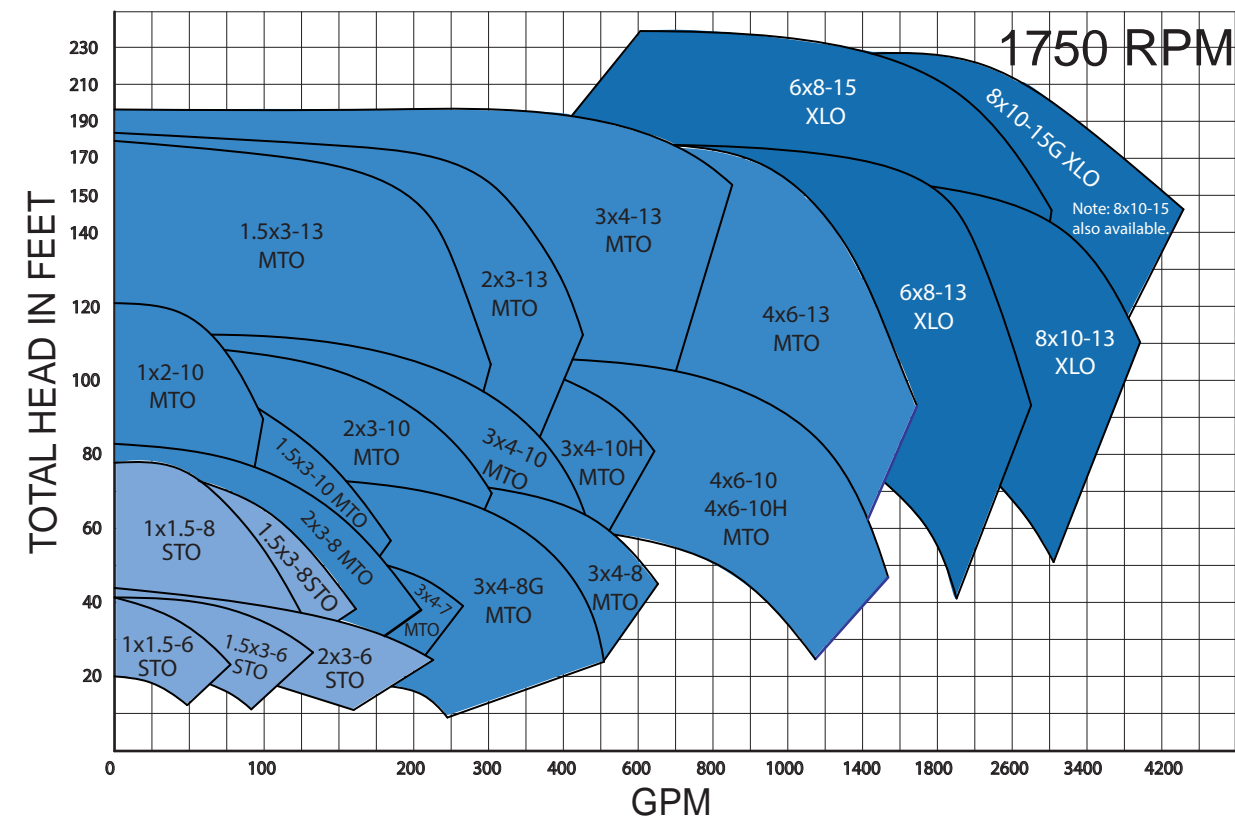
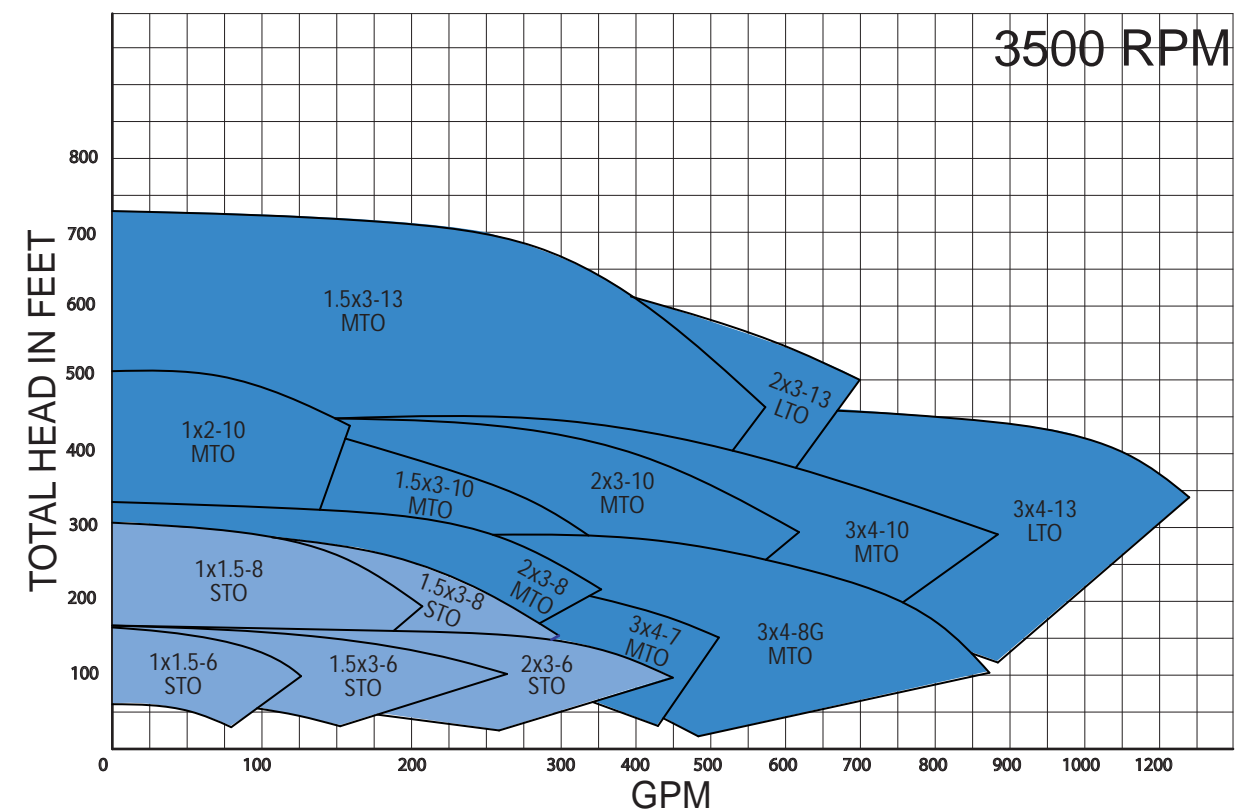
© 2016 SUMMIT PUMP Inc



OPTIONAL: FINNED-TUBE OIL COOLER Can be installed in field



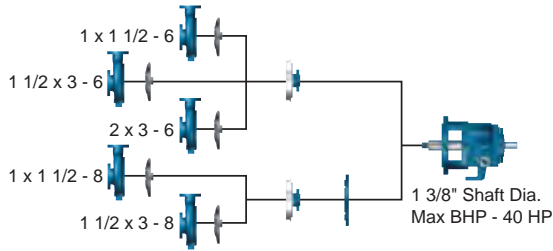
**SUMMIT™**  
PUMP, Inc  
www.SUMMITPUMP.com



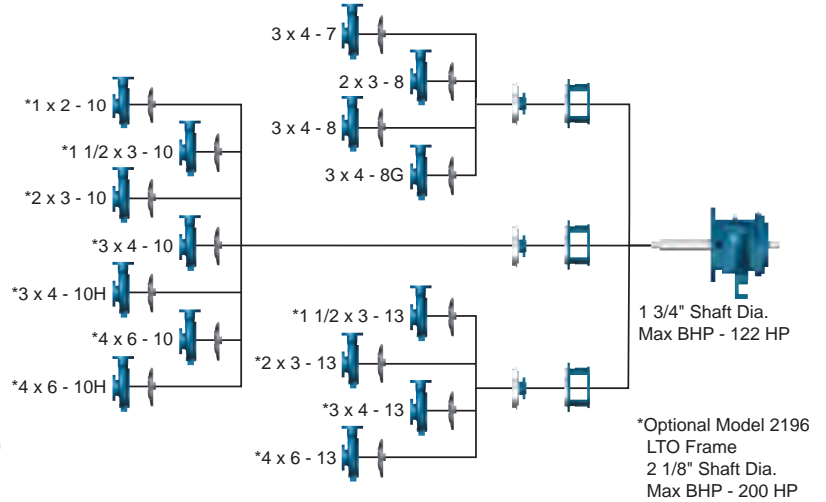
Note: Performance & Sizing curves are provided for reference only. For specific information, contact your distributor or the manufacturer.

# Model 2196 Interchangeability and Dimensional Data

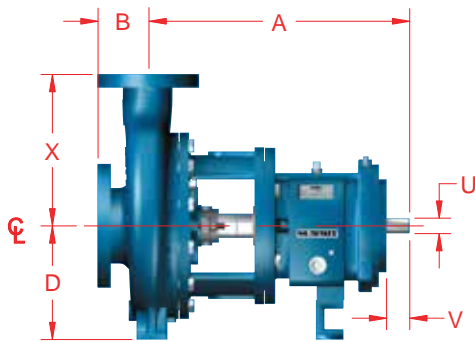
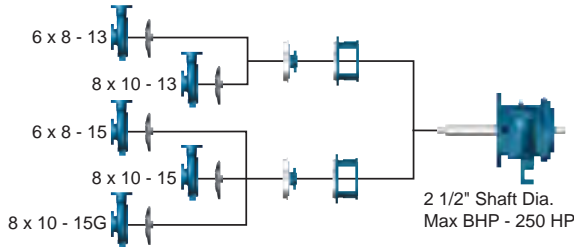
### Model 2196 STO



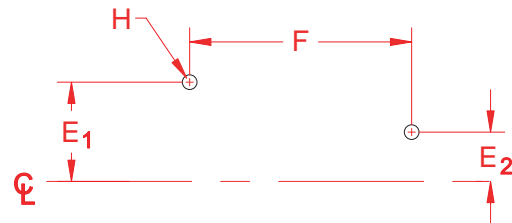
### Model 2196 MTO



### Model 2196 XLO



### TOP VIEW



### 2196 DIMENSIONS

PUMP FRAME	ANSI	SIZE			X	D	B	A	SP	FOOT PATTERN				SHAFT			APPROX. BARE PUMP WT. (LBS.)
		DIS	SUC	IMP						E1	E2	F	H	U	KEYWAY	V	
STO	AA	1	1.5	6	6 1/2	5 1/4	4	13 1/2	3 3/4	3	0	7 1/4	5/8	.875	3/16 X 3/32	2	85
	AB	1.5	3	6													90
		2	3	6													95
		1	1.5	8													100
MTO or LTO	A60	2	3	8	9 1/2	8 1/4	4	19 1/2	3 3/4	4 7/8	3 5/8	12 1/2	5/8	or	or	2 5/8	200
	A70	3	4	8													220
	A70	3	4	8G													220
	A05	1	2	10													8 1/2
	A50	1.5	3	10	8 1/2	220											
	A60	2	3	10	9 1/2	230											
	A70	3	4	10	11	265											
	A40	3	4	10H	12 1/2	275											
	A80	4	6	10	13 1/2	305											
	A80	4	6	10H	13 1/2	305											
	A20	1.5	3	13	10 1/2	245											
	A30	2	3	13	11 1/2	275											
	A40	3	4	13	12 1/2	330											
	A80	4	6	13	13 1/2	405											
	XLO	A90	6	8	13	14 1/2	6	27 7/8	5 1/4	8	4 1/2	18 3/4	7/8	2.375	5/8 X 5/16	4	560
		A100	8	10	13												670
A110		6	8	15	610												
A120		8	10	15	740												
A120		8	10	15G	710												
		4	6	17	16												660
		6	8	17	18												735
		8	10	17	19												840